



GIA
GEMOLOGICAL INSTITUTE OF AMERICA®

5355 Armada Drive | Carlsbad, CA 92008-4602
T: 760-603-4500 | F: 760-603-1814

GIA Laboratories
Bangkok | Carlsbad | Gaborone
Johannesburg | Mumbai | New York
www.gia.edu

COLORED DIAMOND IDENTIFICATION AND ORIGIN REPORT

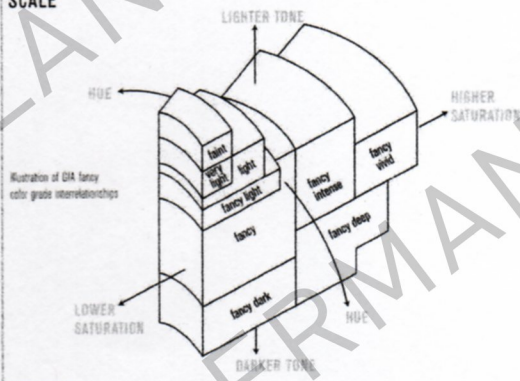
October 21, 2010

GIA REPORT 2125696637

Shape and Cutting Style Pear Brilliant
 Measurements 11.74 x 7.77 x 5.08 mm
 Weight 3.18 carat
 Color Grade
 Origin NATURAL
 Grade FANCY INTENSE
 YELLOW
 Distribution EVEN

Comments:
None

GIA
COLORED
DIAMOND
SCALE



110208582938

This Report is not a guarantee, valuation or appraisal and contains only the characteristics of the diamond described herein after it has been graded, tested, examined and analyzed by the laboratory providing this Report ("GIA") and/or has been inscribed using the techniques and equipment used by GIA at the time of the examination and/or inscription. Inscriptions reported in this document are not a guarantee, validation, or warranty of a diamond's quality, country of origin or source; or that the diamond will be identifiable by the inscription in the future (since inscriptions can be removed). GIA makes no representation concerning any trademark, word, or symbol which is inscribed by GIA or which is identified on this Report. The recipient of this Report may wish to consult a credentialed jeweler or gemologist about the information contained herein.



The security features in this document, including the hologram, security woven and microprint lines, in addition to those not listed, meet diamond security industry guidelines.

IMPORTANT LIMITATIONS ON BACK
© 2008 GEMOLOGICAL INSTITUTE OF AMERICA, INC.