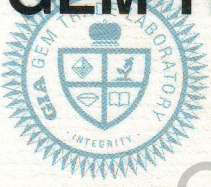




# GEM TRADE LABORATORY



A DIVISION OF GIA ENTERPRISES, INC.  
A WHOLLY OWNED SUBSIDIARY OF THE NONPROFIT  
GEMOLOGICAL INSTITUTE OF AMERICA, INC.

580 FIFTH AVENUE  
NEW YORK, NY 10036-4794  
212-221-5858  
FAX: 212-575-3095

5355 ARMADA DRIVE  
CARLSBAD, CA 92008-4699  
760-603-4500  
FAX: 760-603-1814

10540006

## COLORED DIAMOND IDENTIFICATION AND ORIGIN REPORT

DEC 22 1998

This Report is not a guarantee, valuation or appraisal. Its contents represent the opinion of the GIA Gem Trade Laboratory at the time of grading, testing, examination and/or analysis. The recipient of this Report may wish to consult a credentialed jeweler or gemologist about the information contained herein.

At the time of the examination, the characteristics of the diamond described herein were based upon the following as applicable: magnification (fully corrected loupe and binocular microscope), millimeter gauge, non-contact measuring device, ProportionScope, electronic carat balance, master and color comparison diamonds, additional visual color comparators, standardized viewing environment and light source, ultraviolet lamps, spectroscope, polariscope, specific gravity liquids, ultraviolet-visible and infrared spectrometers, X-ray fluorescence spectrometer, gamma-ray spectroscopy systems, beta radiation scintillation detector, radiation survey meter, X-ray luminescence equipment, and ancillary instruments as necessary.

SHAPE & CUTTING STYLE .....  
Measurements .....  
Weight .....  
COLOR .....  
Origin .....  
Grade .....  
Distribution .....

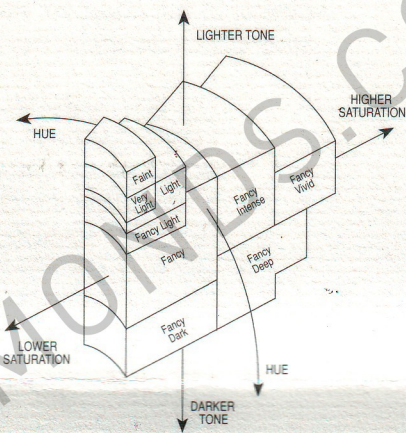
**CUT-CORNERED RECTANGULAR MODIFIED BRILLIANT**  
**5.49 X 4.98 X 4.46 MM**  
**1.01 CARATS**

**NATURAL**  
**FANCY INTENSE**  
**YELLOW**  
**EVEN**

COMMENTS

GIA  
**COLORED  
DIAMOND**  
scale

Generic illustration  
of GIA fancy color grade  
interrelationships



This diagram is an additional  
measure of assurance of a  
GIA Gem Trade Laboratory Report.

NOTICE: IMPORTANT LIMITATIONS ON REVERSE

GIA Gem Trade Laboratory  
Copyright 1996 GIA Gem Trade Laboratory