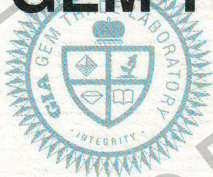




GEM TRADE LABORATORY



A DIVISION OF GIA ENTERPRISES, INC.
A WHOLLY OWNED SUBSIDIARY OF THE NONPROFIT
GEMOLOGICAL INSTITUTE OF AMERICA, INC.

580 FIFTH AVENUE
NEW YORK, NY 10036-4794
212-221-5858
FAX: 212-575-3095

5355 ARMADA DRIVE
CARLSBAD, CA 92008-4699
760-603-4500
FAX: 760-603-1814

10425978

COLORED DIAMOND IDENTIFICATION AND ORIGIN REPORT

AUG 24 1998

This Report is not a guarantee, valuation or appraisal. Its contents represent the opinion of the GIA Gem Trade Laboratory at the time of grading, testing, examination and/or analysis. The recipient of this Report may wish to consult a credentialed jeweler or gemologist about the information contained herein.

At the time of the examination, the characteristics of the diamond described herein were based upon the following as applicable: magnification (fully corrected loupe and binocular microscope), millimeter gauge, non-contact measuring device, ProportionScope, electronic carat balance, master and color comparison diamonds, additional visual color comparators, standardized viewing environment and light source, ultraviolet lamps, spectroscope, polariscope, specific gravity liquids, ultraviolet-visible and infrared spectrometers, X-ray fluorescence spectrometer, gamma-ray spectroscopy systems, beta radiation scintillation detector, radiation survey meter, X-ray luminescence equipment, and ancillary instruments as necessary.

SHAPE & CUTTING STYLE
Measurements
Weight
COLOR
Origin
Grade
Distribution

MODIFIED TRIANGULAR BRILLIANT

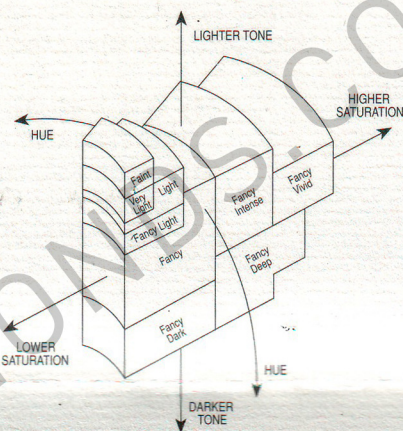
6.92 X 6.55 X 3.37 MM
1.14 CARATS

NATURAL
FANCY VIVID
YELLOW
EVEN

COMMENTS

GIA
COLORED
DIAMOND
scale

Generic illustration
of GIA fancy color grade
interrelationships



This hologram is an additional
measure of assurance of a
GIA Gem Trade Laboratory Report.

NOTICE: IMPORTANT LIMITATIONS ON REVERSE

GIA Gem Trade Laboratory
Copyright 1996 GIA Gem Trade Laboratory